

For reference only. See data sheet for the detailed specifications.

## Technical Specification



Frequency Range(GHz)	1.0 – 8.0
Gain(dBi)	11 Typ.
Polarization	Linear
3dB Beamwidth(deg)	E Plane: 120 - 27
	H Plane: 85 - 29
Cross Pol. Isolation(dB)	30 Typ.
VSWR	1.5:1 Typ.
Connector	N-Female or SMA-Female
Power Handling(W CW)	N-Female: 300 Max.
	SMA-Female: 50 Max.
Material	Al
Finish	Chemical Conversion Coating and Sand Blasting
Size(mm)	242.8 x 159.4 x 203.6
Net Weight(Kg)	1.47 Around

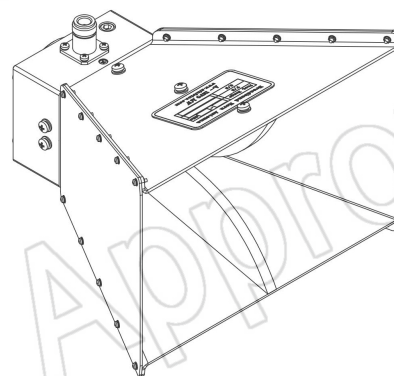
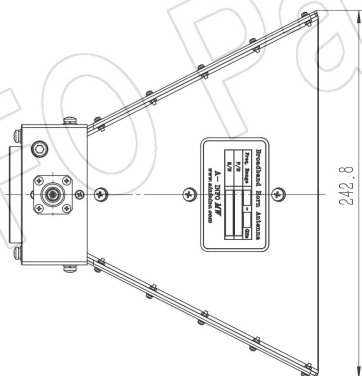
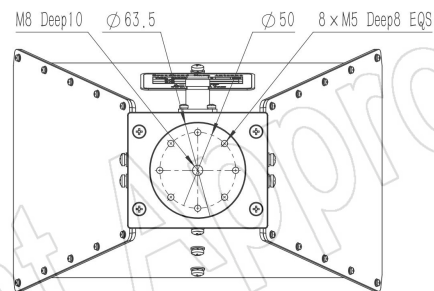
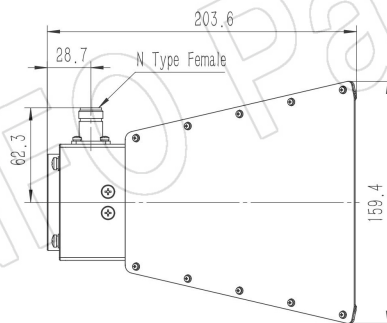
**PATENT ID (China)**

**ZL201621014310.X, ZL201630454711.6**

## Outline Drawing (Size: mm)

N-Female Output (P/N: LB-1080-NF)

For SMA-Female output outline drawing, please contact A-INFO.



**AINFO Inc.**

China(Beijing):  
China(Chengdu):  
USA :

Tel: (+86) 10-6266-7326,  
Tel: (+86) 28-8519-2786,  
Tel: (+1) 949-639-9688,

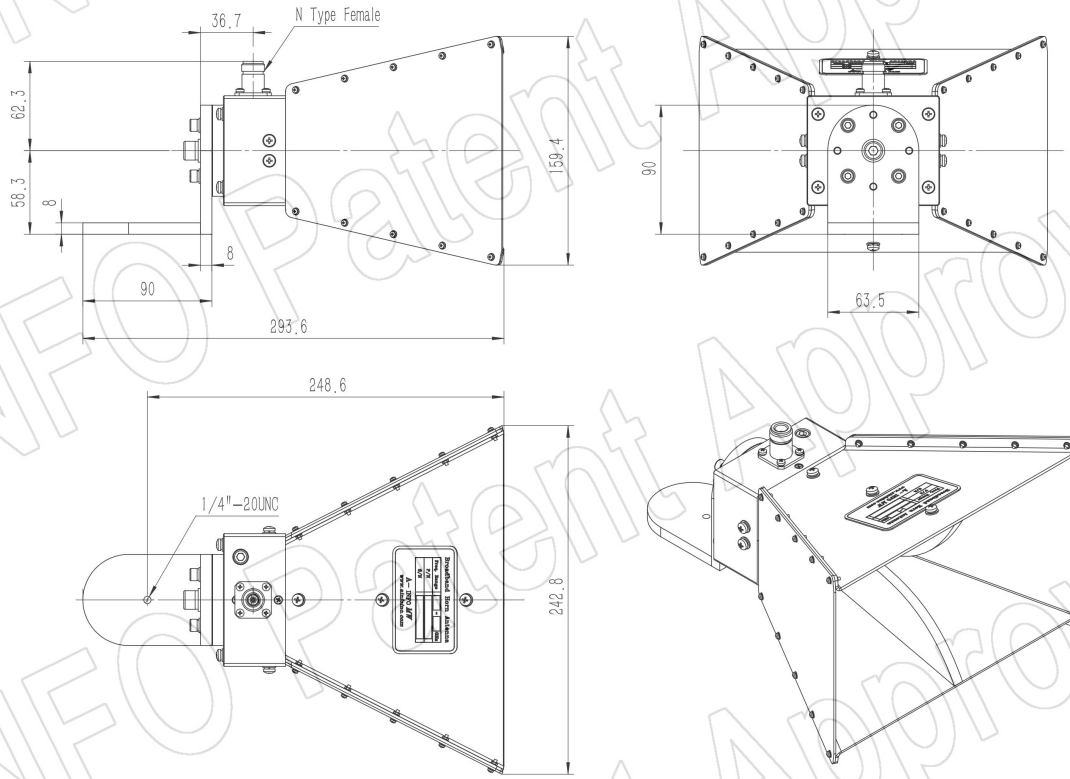
(+86) 10-6266-7327  
(+86) 28-8519-3044  
(+1) 949-639-9608

Fax: (+86) 10-6266-7379  
Fax: (+86) 28-8519-3068  
Fax: (+1) 949-639-9670

Website: [www.ainfoinc.com](http://www.ainfoinc.com)  
Email: [sales@ainfoinc.com](mailto:sales@ainfoinc.com)

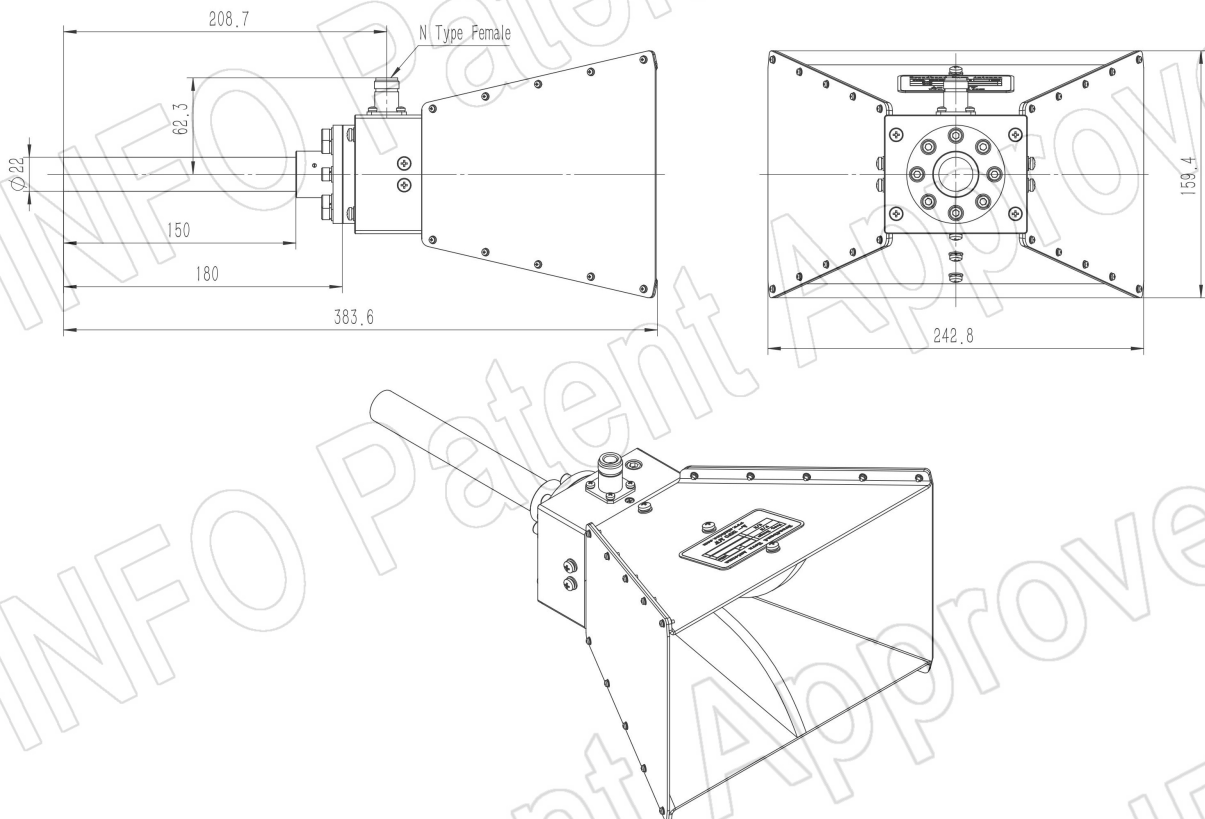
## N-Female Output with L Type Mounting Bracket (Option, P/N: LB-10180-L)

For SMA-Female output outline drawing, please contact A-INFO.



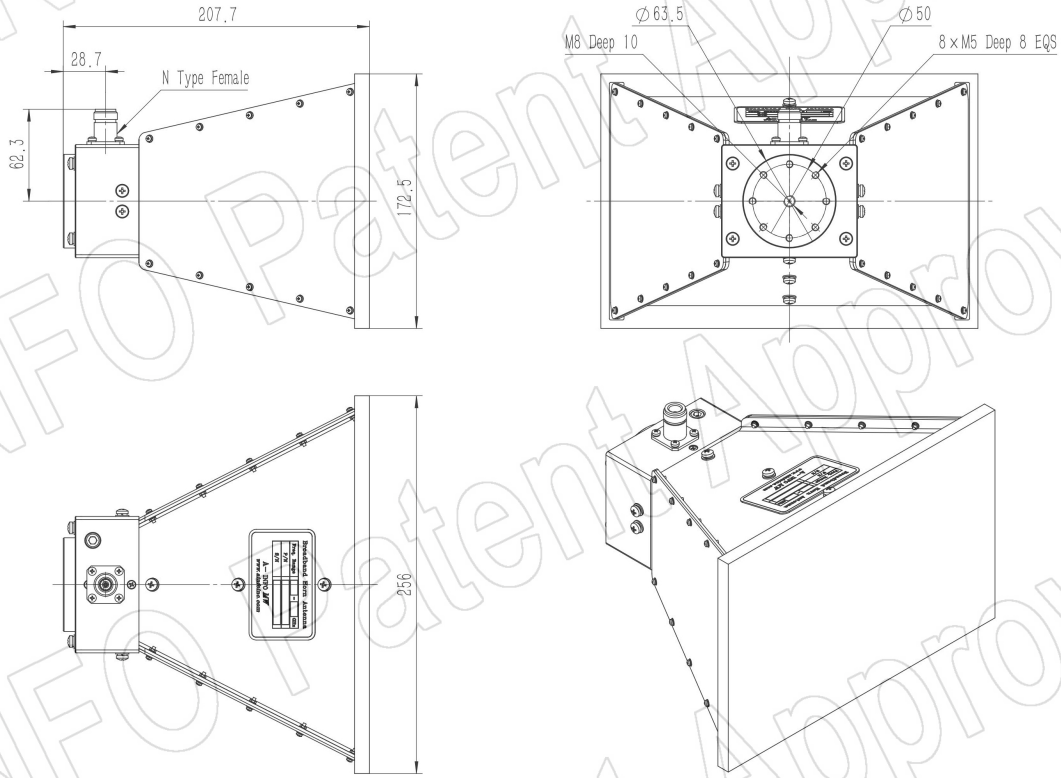
## N-Female Output with Round Type Mounting Bracket (Option, P/N: LB-10180-MA)

For SMA-Female output outline drawing, please contact A-INFO.



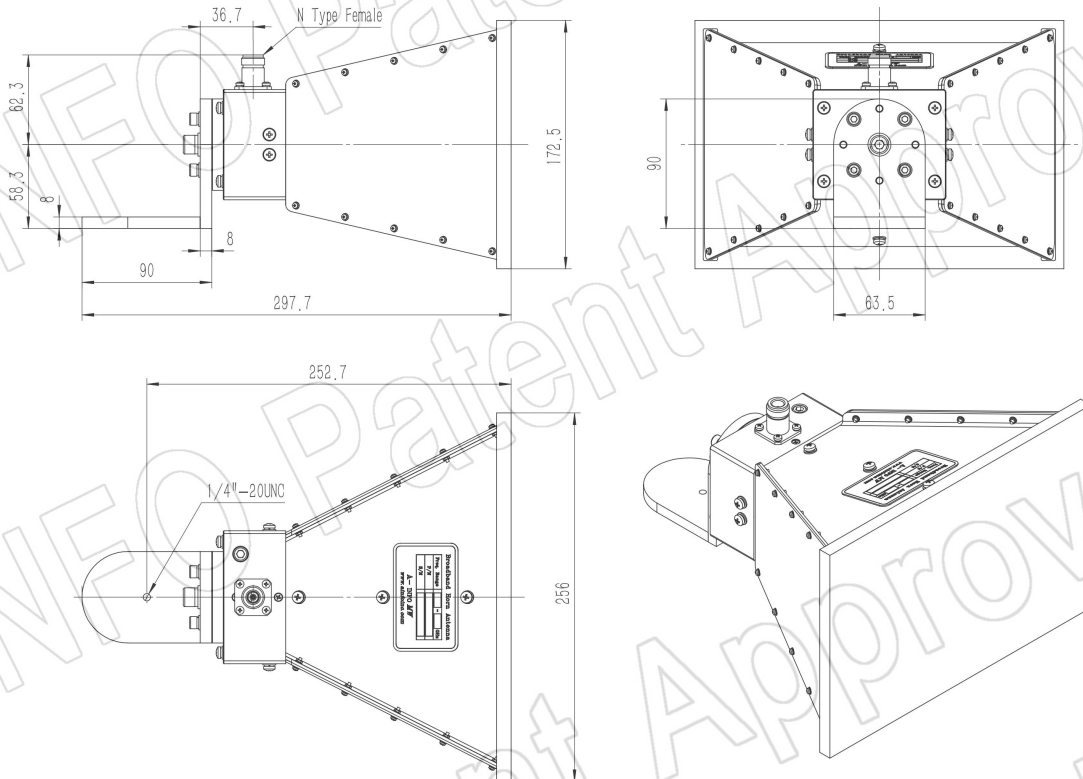
## N-Female Output with Radome (Option, P/N: LB-1080-NFSPO, Outdoor Application)

For SMA-Female output outline drawing, please contact A-INFO.



## N-Female Output with L Type Mounting Bracket & Radome (Option, P/N: LB-10180-L & LB-1080-NFSPO, Outdoor Application)

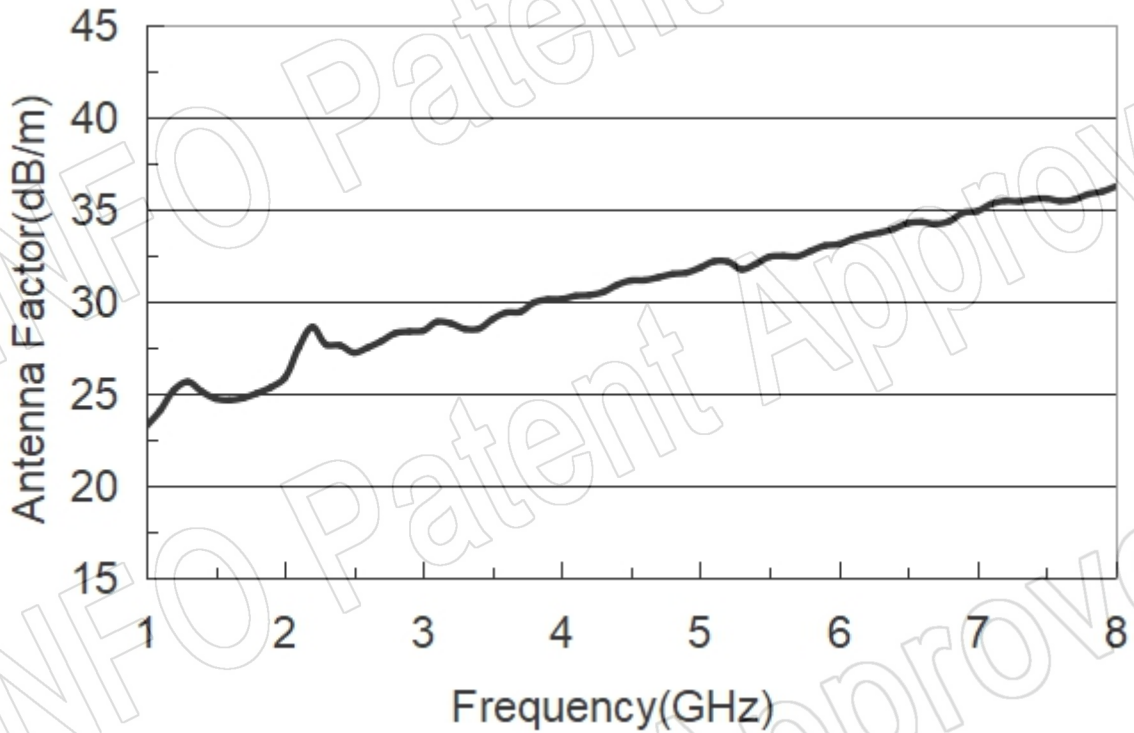
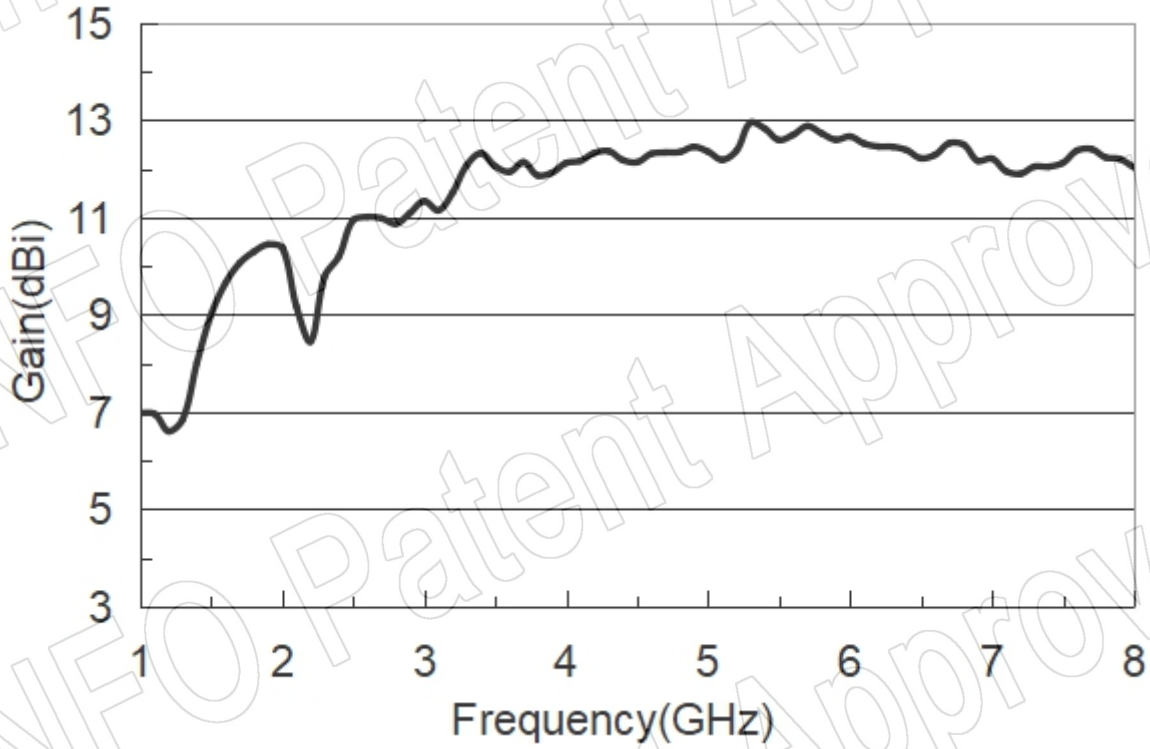
For SMA-Female output outline drawing, please contact A-INFO.



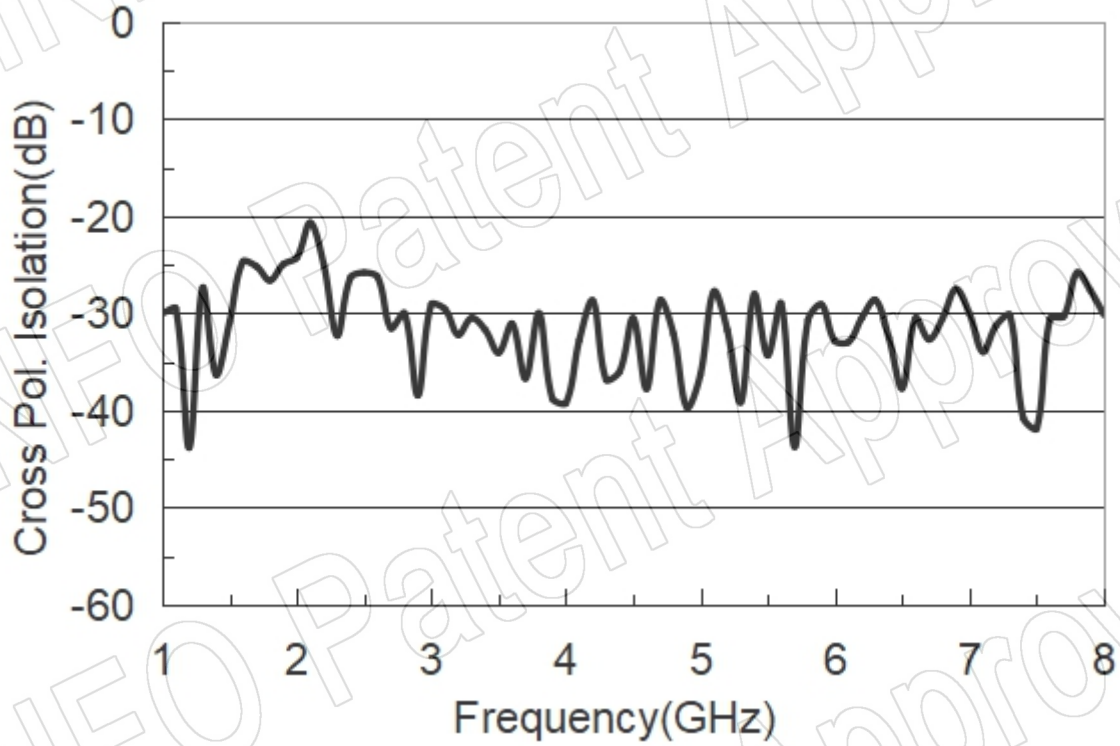


## Test Results

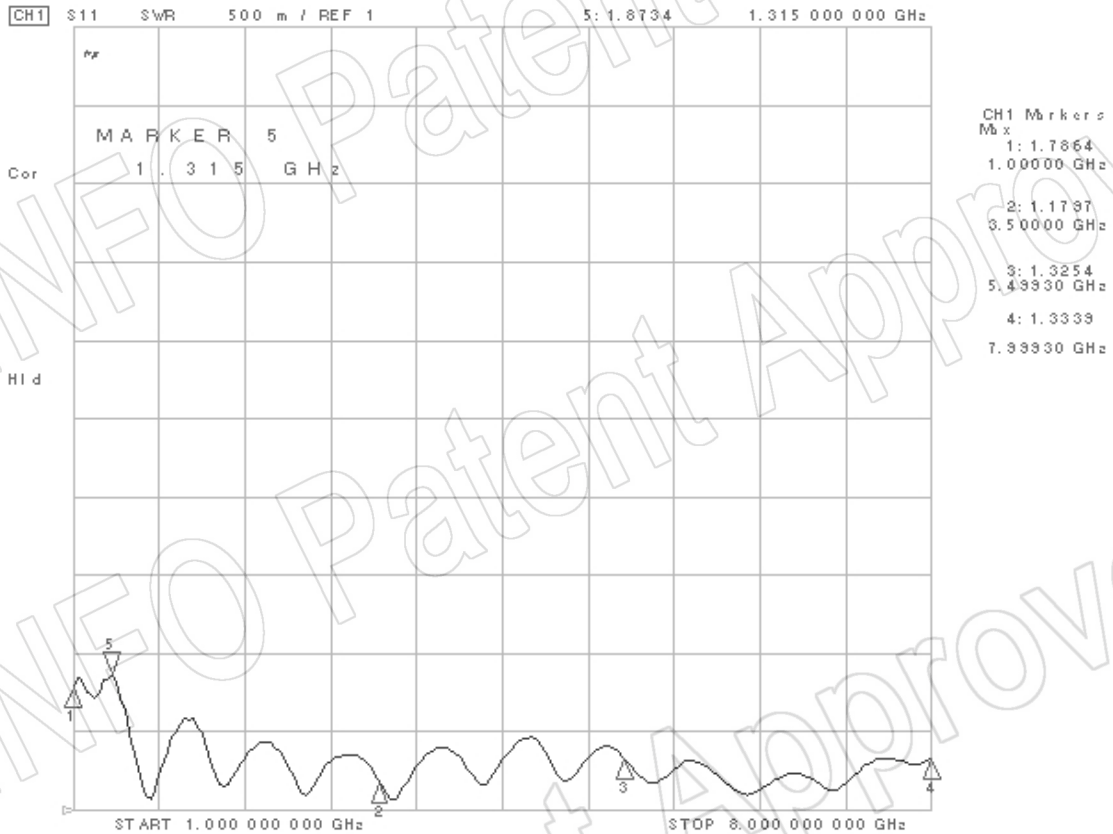
### 1. Gain & Antenna Factor



## 2. Cross Polarization Isolation



## 3. VSWR



## 4. Pattern

